

# Xspot Alpha instructions for Cameras

## New Construction



**Alpha**  
wire endpoint



**Smooth**  
bracket



**Edge**  
bracket



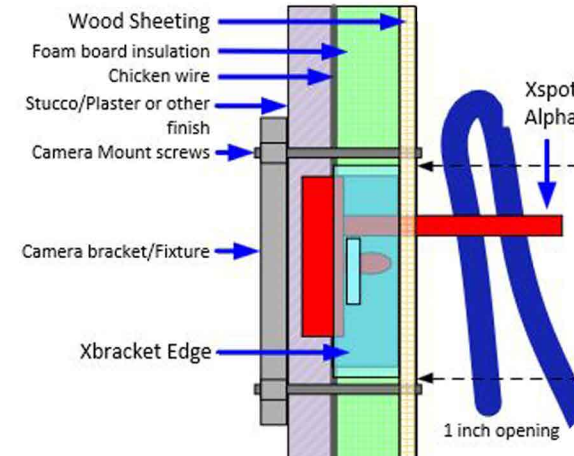
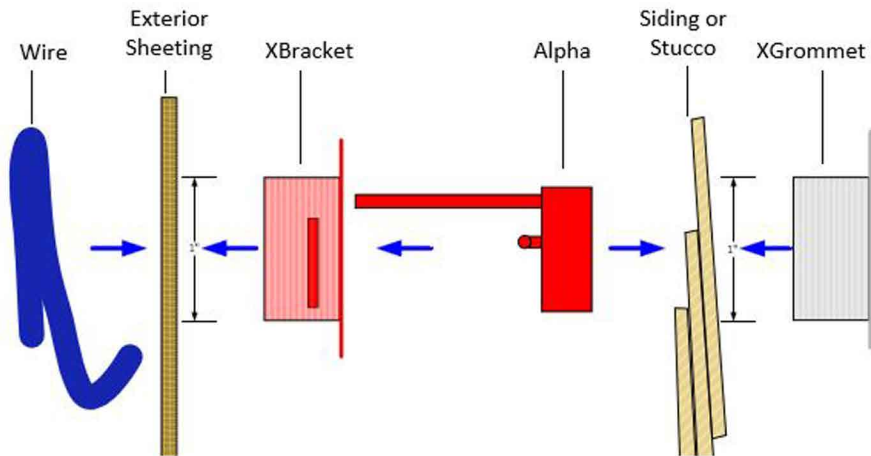
**Xgrommet**  
wire grommet



**Xtreme**  
deep sensing tool



**Xcentric**  
centering tool



### Mount Alpha in exterior sheeting

1. Run wire to future component locations such as cameras, speakers, exterior temp sensors, light sensors or similar.
2. After selecting an optimum location, drill a 1" (25mm) round hole. The Xbracket and Alpha should always mount in the second to last major surface just behind siding or stucco (tyvek like coverings don't count, foam board does)
3. Pull wire through the hole
4. Feed wire through back of Xbracket
5. Attach wire to Xspot Alpha and snap into the XBracket
6. Insert Xbracket and Alpha into 1" hole, leaving enough slack back inside the wall to pull out later and trim out component
7. Wire is now safely inside the wall out of the way of other trades

### Remove Alpha and Trim out hole

1. Locate the Alpha endpoint using the Xtreme locator tool
2. Create the centered drill point using the Xcentric Locator tool
  - a. Center on the Alpha and make 4 marks close to the center of the tool
  - b. Draw an X showing the center point and drill whatever size hole is required
3. Remove the Alpha with attached wire
4. (Optional) Feed the wire through an Xgrommet or Trimport
5. (Optional) Seal around the grommet to add protection from elements, not meant to be weather tight, just added protection.
6. Install component or bracket directly over the top of the wire location

**Xspot, how technology is found.**  
[xspotproducts.com](http://xspotproducts.com)

